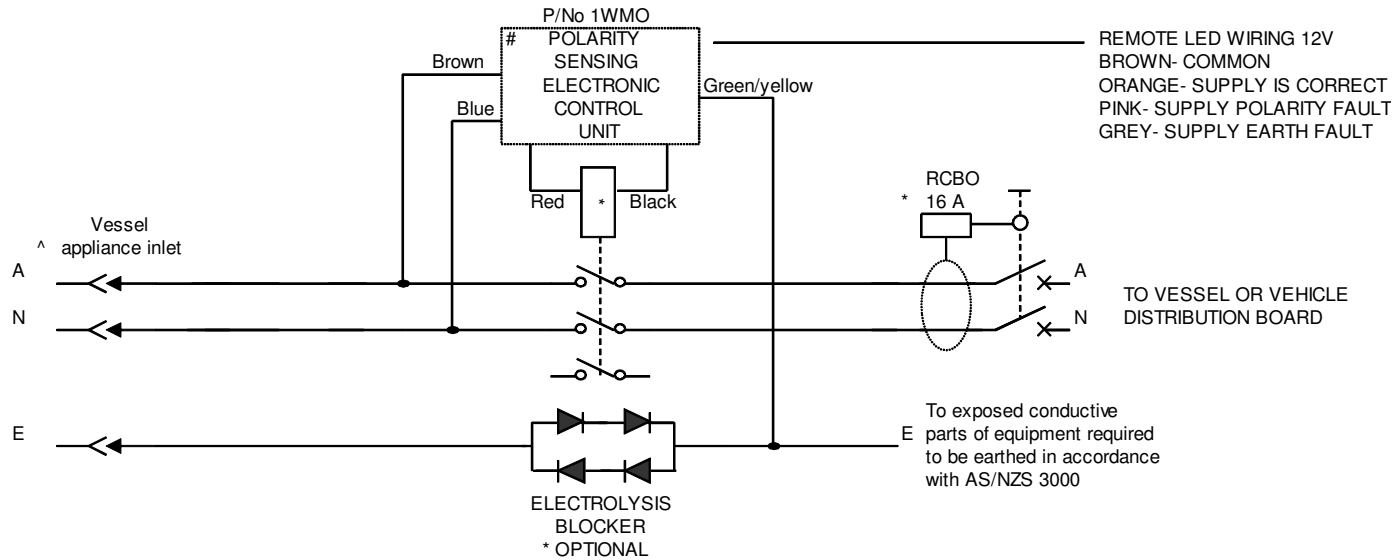


Sure power Solutions

TECHNICAL INFORMATION



The polarity sensor is manufactured and complies with AS/NZS 3100:2002 The polarity sensor can be applied under the AS3004.2: 2008 S5.5.3.2 a,c. (Protection against reversal of polarity in the supply lead) and NSCV Part C Section 5 Subsection 5B (Electrical) Paragraph 4.7.1.c (Shore Supply).

This device must be installed by a suitably licensed electrician. To meet the standards of AS3000:2007. SUREPOWER SOLUTIONS PTY LTD have independently engaged a testing authority to test and report on our product, thus ensuring it complies with AS-3100:2002

ITEMS INCLUDED FOR DIFFERENT MODELS

Model	Module size L x W x H
# 1WMO	95mm x 95mm x 90mm
# * 3WMCRL	95mm x 300mm x 90mm
# * ^ 4WMCRI	200mm x 200mm x 90mm

APPROVAL NUMBER N25251

Warning:
 Installation is only to be carried out by licensed electricians.
 Module to be fitted to suitable enclosure base.
 Maximum switching current 3A @ 250V AC1 3A @ 30vdc
 The PEC module is designed to switch a contactor only please check the contactor for current draw before installing.
 The PEC module only has a <2mA draw to earth thus making it suitable in large marina installations.

Client	Contact	Drawn by	GMF	Date	8/9/09	Rev.no.	C
SHORE POWER GALVANIC ISOLATION & ELECTRONIC MONITORING UNIT		SURE POWER SOLUTIONS PTY LTD PO BOX 570 STONES CORNER QLD AUSTRALIA 4120					
SCALE NTS	DRAWING No: 090907		THE COPYRIGHT OF THIS DRAWING REMAINS THE PROPERTY OF SURE POWER SOLUTIONS. Ph 61 7 3342 6523				